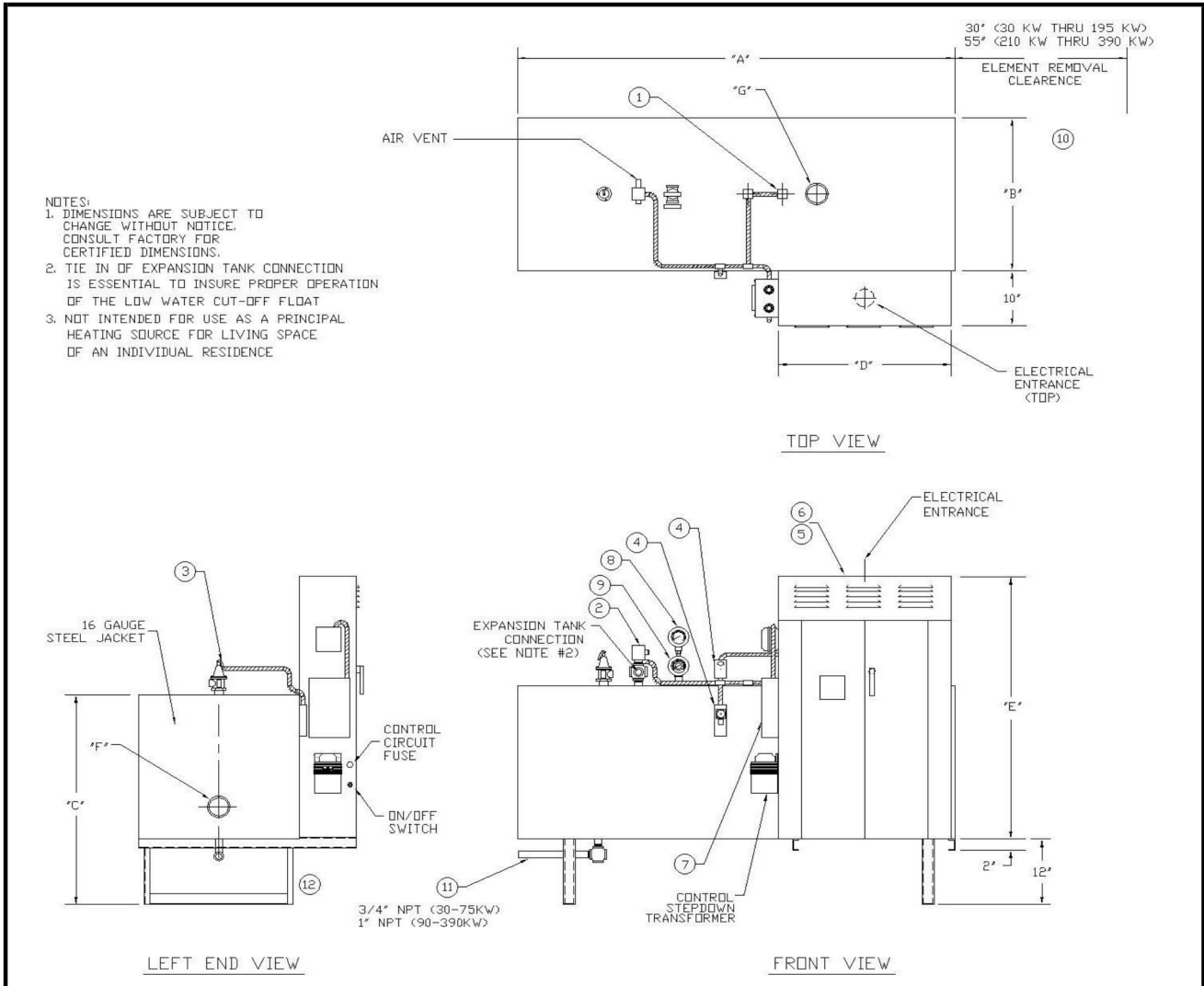


## BE Series Electric Boiler 150 psi Water Design 30 kw to 390 kw



- |  |   |  |
|--|---|--|
| <p>1. OPERATOR<br/>2. PROBE TYPE LWCO<br/>3. RELIEF VALVE<br/>4. AQUASTAT (HIGH LIMIT)</p> | <p>5. POWER PANEL<br/>6. CONTROL PANEL<br/>7. STEP CONTROLLER<br/>8. PRESSURE GAUGE</p> | <p>9. TEMPERATURE GAUGE<br/>10. ELEMENT ACCESS<br/>11. DRAIN<br/>12. STRUCTURAL STEEL LEGS</p> |
|--|---|--|

KW	BEW Series						Inlet	Outlet	Fluid Cap. Oper. Level Gallons	Aprox. Ship WT.	
	Vessel Dimensions			Power Panel Voltage		D					E
	length	width	height	208-230/3/60	380-460-575/3/60						
	A	B	C	D	E	D	E	F	G		
30	48	20	32	30	36	20	30	2	2	24	775
45	48	20	32	30	36	20	30	2	2	24	775
60	48	20	32	30	36	20	30	2	2	24	775
75	48	20	32	30	36	20	30	2	2	24	850
90	48	28	40	30	36	20	30	3	3	52	1000
105	48	28	40	30	48	30	36	3	3	52	1025
120	48	28	40	30	48	30	36	3	3	52	1050
135	48	28	40	30	66	30	36	3	3	52	1300
150	48	28	40	30	66	30	36	3	3	52	1325
165	48	28	40	30	66	30	36	3	3	52	1350
180	48	28	40	30	66	30	36	3	3	52	1400
195	48	28	40	30	66	30	48	3	3	52	1450
210	76	28	40	C/F	C/F	30	48	3	3	105	1950
240	76	28	40	C/F	C/F	30	48	3	3	105	2000
270	76	28	40	C/F	C/F	30	66	3	3	105	2450
300	76	28	40	C/F	C/F	30	66	3	3	105	2500
330	76	28	40	C/F	C/F	30	66	3	3	105	2550
360	76	28	40	C/F	C/F	30	66	3	3	105	2600
390	76	28	40	C/F	C/F	30	66	3	3	105	2650



783 NORTH CHILI AVE  
PERU, INDIANA 46970

FORM NO.:  
**2245**